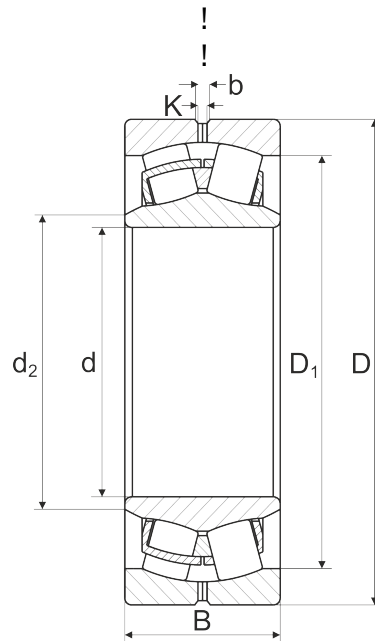
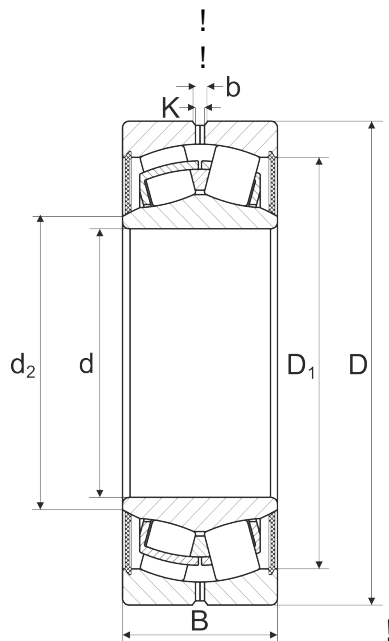


Offene Pendelrollenlager 222xx / Open Spherical Roller Bearings 222xx



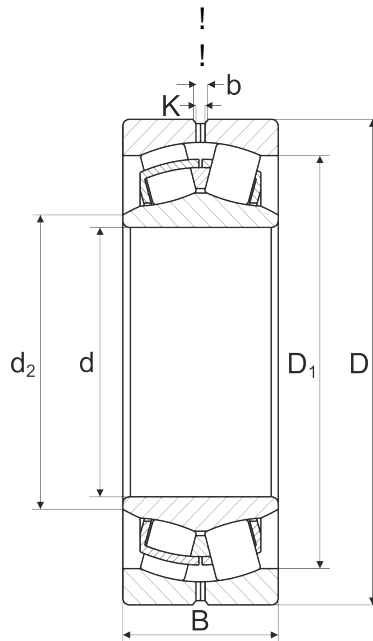
| Bezeichnung Code | Dimensionen Dimensions | | | | | | | Tragzahlen und Faktoren Load ratings and factors | | | | | | Gewicht Weight ≈ [kg] |
|---------------------|---------------------------|------|------|----------------|----------------|------|------|---|----------------|------|----------------|----------------|----------------|---------------------------------|
| | d | D | B | D ₁ | d ₂ | b | K | C _{dyn} | C ₀ | e | Y ₁ | Y ₂ | Y ₀ | |
| SWC | [mm] | [mm] | [mm] | [mm] | [mm] | [mm] | [mm] | [kN] | [kN] | | | | | |
| 22208 | 40 | 80 | 23 | 69,4 | 50,3 | 5,5 | 3 | 80,7 | 90,7 | 0,29 | 2,35 | 3,50 | 2,30 | 0,536 |
| 22209 | 45 | 85 | 23 | 73,6 | 54,5 | 5,5 | 3 | 84,2 | 97,6 | 0,27 | 2,50 | 3,72 | 2,44 | 0,597 |
| 22210 | 50 | 90 | 23 | 78,8 | 59,7 | 5,5 | 3 | 86,7 | 103,5 | 0,25 | 2,71 | 4,04 | 2,65 | 0,641 |
| 22211 | 55 | 100 | 25 | 88,0 | 65,9 | 5,5 | 3 | 102,0 | 119,0 | 0,26 | 2,64 | 3,93 | 2,58 | 0,849 |
| 22212 | 60 | 110 | 28 | 96,5 | 72,6 | 5,5 | 3 | 127,0 | 154,0 | 0,25 | 2,71 | 4,04 | 2,65 | 1,200 |
| 22213 | 65 | 120 | 31 | 104,0 | 78,4 | 5,5 | 3 | 151,0 | 188,0 | 0,27 | 2,49 | 3,71 | 2,43 | 1,610 |
| 22214 | 70 | 125 | 31 | 109,6 | 83,3 | 5,5 | 3 | 161,0 | 204,0 | 0,24 | 2,83 | 4,21 | 2,77 | 1,680 |
| 22215 | 75 | 130 | 31 | 114,9 | 88,2 | 5,5 | 3 | 167,0 | 215,0 | 0,25 | 2,74 | 4,08 | 2,68 | 1,770 |
| 22216 | 80 | 140 | 33 | 122,8 | 95,1 | 5,5 | 3 | 181,0 | 237,0 | 0,22 | 3,01 | 4,48 | 2,94 | 2,200 |
| 22217 | 85 | 150 | 36 | 131,8 | 100,3 | 5,5 | 3 | 216,0 | 277,0 | 0,23 | 2,95 | 4,40 | 2,89 | 2,730 |
| 22218 | 90 | 160 | 40 | 141,0 | 108,0 | 5,5 | 3 | 252,0 | 332,0 | 0,23 | 2,90 | 4,31 | 2,83 | 3,470 |
| 22219 | 95 | 170 | 43 | 148,5 | 113,5 | 8,3 | 4,5 | 285,0 | 380,0 | 0,26 | 2,64 | 3,93 | 2,58 | 4,320 |
| 22220 | 100 | 180 | 46 | 158,1 | 120,5 | 8,3 | 4,5 | 317,0 | 423,0 | 0,26 | 2,55 | 3,80 | 2,50 | 5,100 |
| 22222 | 110 | 200 | 53 | 173,8 | 132,5 | 8,3 | 4,5 | 414,0 | 574,0 | 0,26 | 2,55 | 3,80 | 2,50 | 7,690 |

Abgedichtete Pendelrollenlager 222xx / Sealed Spherical Roller Bearings 222xx



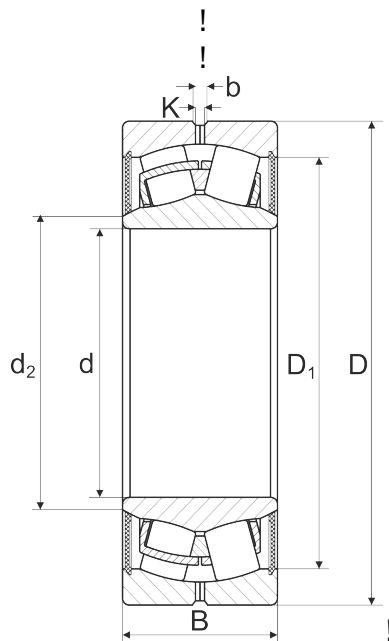
| Bezeichnung Code | Dimensionen Dimensions | | | | | | | Tragzahlen und Faktoren Load ratings and factors | | | | | | Gewicht Weight ≈ [kg] |
|---------------------|---------------------------|-----------|-----------|------------------------|------------------------|-----------|-----------|---|------------------------|------|----------------|----------------|----------------|---------------------------------|
| | d [mm] | D [mm] | B [mm] | D ₁ [mm] | d ₂ [mm] | b [mm] | K [mm] | C _{dyn} [kN] | C ₀ [kN] | e | Y ₁ | Y ₂ | Y ₀ | |
| SWC | | | | | | | | | | | | | | |
| BS22208 | 40 | 80 | 28 | 72,0 | 48,4 | 5,5 | 3 | 80,7 | 90,7 | 0,29 | 2,35 | 3,50 | 2,30 | 0,570 |
| BS22209 | 45 | 85 | 28 | 77,6 | 52,8 | 5,5 | 3 | 84,2 | 97,6 | 0,27 | 2,50 | 3,72 | 2,44 | 0,660 |
| BS22210 | 50 | 90 | 28 | 82,5 | 57,7 | 5,5 | 3 | 86,7 | 103,5 | 0,25 | 2,71 | 4,04 | 2,65 | 0,700 |
| BS22211 | 55 | 100 | 31 | 92,1 | 63,8 | 5,5 | 3 | 102,0 | 119,0 | 0,26 | 2,64 | 3,93 | 2,58 | 1,000 |
| BS22212 | 60 | 110 | 34 | 99,8 | 71,2 | 5,5 | 3 | 127,0 | 154,0 | 0,25 | 2,71 | 4,04 | 2,65 | 1,300 |
| BS22213 | 65 | 120 | 38 | 110,0 | 77,3 | 5,5 | 3 | 151,0 | 188,0 | 0,27 | 2,49 | 3,71 | 2,43 | 1,600 |
| BS22214 | 70 | 125 | 38 | 115,0 | 81,9 | 5,5 | 3 | 161,0 | 204,0 | 0,24 | 2,83 | 4,21 | 2,77 | 1,800 |
| BS22215 | 75 | 130 | 38 | 120,0 | 87,0 | 5,5 | 3 | 167,0 | 215,0 | 0,25 | 2,74 | 4,08 | 2,68 | 2,100 |
| BS22216 | 80 | 140 | 40 | 129,0 | 93,0 | 5,5 | 3 | 181,0 | 237,0 | 0,22 | 3,01 | 4,48 | 2,94 | 2,400 |
| BS22217 | 85 | 150 | 44 | 136,5 | 97,2 | 8,3 | 4,5 | 216,0 | 277,0 | 0,23 | 2,95 | 4,40 | 2,89 | 3,000 |
| BS22218 | 90 | 160 | 48 | 149,0 | 104,0 | 8,3 | 4,5 | 252,0 | 332,0 | 0,23 | 2,90 | 4,31 | 2,83 | 3,700 |
| BS22219 | 95 | 170 | 51 | 154,4 | 110,4 | 8,3 | 4,5 | 285,0 | 380,0 | 0,26 | 2,64 | 3,93 | 2,58 | 4,650 |
| BS22220 | 100 | 180 | 55 | 165,5 | 117,2 | 8,3 | 4,5 | 317,0 | 423,0 | 0,26 | 2,55 | 3,80 | 2,50 | 5,350 |
| BS22222 | 110 | 200 | 63 | 182,5 | 128,8 | 8,3 | 4,5 | 414,0 | 574,0 | 0,26 | 2,55 | 3,80 | 2,50 | 7,600 |

Offene Pendelrollenlager 223xx / Open Spherical Roller Bearings 223xx



| Bezeichnung Code | Dimensionen Dimensions | | | | | | | Tragzahlen und Faktoren Load ratings and factors | | | | | | Gewicht Weight ≈ [kg] |
|---------------------|---------------------------|------|------|----------------|----------------|------|------|---|----------------|------|----------------|----------------|----------------|-----------------------------|
| | d | D | B | D ₁ | d ₂ | b | K | C _{dyn} | C ₀ | e | Y ₁ | Y ₂ | Y ₀ | |
| SWC | [mm] | [mm] | [mm] | [mm] | [mm] | [mm] | [mm] | [kN] | [kN] | | | | | |
| 22308 | 40 | 90 | 33 | 75,2 | 50,5 | 5,5 | 3 | 122,0 | 132,0 | 0,39 | 1,75 | 2,61 | 1,71 | 1,030 |
| 22309 | 45 | 100 | 36 | 83,8 | 56,8 | 5,5 | 3 | 141,0 | 154,0 | 0,39 | 1,71 | 2,54 | 1,67 | 1,430 |
| 22310 | 50 | 110 | 40 | 92,2 | 62,5 | 5,5 | 3 | 173,0 | 192,0 | 0,38 | 1,78 | 2,65 | 1,74 | 1,870 |
| 22311 | 55 | 120 | 43 | 100,5 | 68,7 | 5,5 | 3 | 213,0 | 248,0 | 0,37 | 1,80 | 2,69 | 1,76 | 2,430 |
| 22312 | 60 | 130 | 46 | 109,0 | 74,8 | 5,5 | 3 | 243,0 | 284,0 | 0,37 | 1,80 | 2,69 | 1,76 | 3,010 |
| 22313 | 65 | 140 | 48 | 117,4 | 81,3 | 5,5 | 3 | 266,0 | 313,0 | 0,35 | 1,92 | 2,86 | 1,88 | 3,530 |
| 22314 | 70 | 150 | 51 | 125,9 | 88,1 | 8,3 | 4,5 | 300,0 | 362,0 | 0,35 | 1,95 | 2,91 | 1,91 | 4,370 |
| 22315 | 75 | 160 | 55 | 133,8 | 94,5 | 8,3 | 4,5 | 351,0 | 437,0 | 0,36 | 1,87 | 2,79 | 1,83 | 5,500 |
| 22316 | 80 | 170 | 58 | 142,5 | 100,4 | 8,3 | 4,5 | 396,0 | 497,0 | 0,36 | 1,87 | 2,79 | 1,83 | 6,540 |

Abgedichtete Pendelrollenlager 223xx / Sealed Spherical Roller Bearings 223xx



| Bezeichnung Code | Dimensionen Dimensions | | | | | | | Tragzahlen und Faktoren Load ratings and factors | | | | | | Gewicht Weight ≈ [kg] |
|---------------------|---------------------------|-----------|-----------|------------------------|------------------------|-----------|-----------|---|------------------------|------|----------------|----------------|----------------|---------------------------------|
| | d [mm] | D [mm] | B [mm] | D ₁ [mm] | d ₂ [mm] | b [mm] | K [mm] | C _{dyn} [kN] | C ₀ [kN] | e | Y ₁ | Y ₂ | Y ₀ | |
| SWC | | | | | | | | | | | | | | |
| BS22308 | 40 | 90 | 38 | 80,2 | 50,5 | 5,5 | 3 | 122,0 | 132,0 | 0,39 | 1,75 | 2,61 | 1,71 | 1,200 |
| BS22309 | 45 | 100 | 42 | 89,0 | 55,4 | 5,5 | 3 | 141,0 | 154,0 | 0,39 | 1,71 | 2,54 | 1,67 | 1,600 |
| BS22310 | 50 | 110 | 45 | 98,0 | 60,8 | 5,5 | 3 | 173,0 | 192,0 | 0,38 | 1,78 | 2,65 | 1,74 | 2,100 |
| BS22311 | 55 | 120 | 49 | 108,0 | 67,0 | 5,5 | 3 | 213,0 | 248,0 | 0,37 | 1,80 | 2,69 | 1,76 | 2,800 |
| BS22312 | 60 | 130 | 53 | 117,0 | 72,2 | 5,5 | 3 | 243,0 | 284,0 | 0,37 | 1,80 | 2,69 | 1,76 | 3,400 |
| BS22313 | 65 | 140 | 56 | 126,0 | 78,2 | 5,5 | 3 | 266,0 | 313,0 | 0,35 | 1,92 | 2,86 | 1,88 | 4,150 |
| BS22314 | 70 | 150 | 60 | 135,5 | 83,9 | 8,3 | 4,5 | 300,0 | 362,0 | 0,35 | 1,95 | 2,91 | 1,91 | 5,100 |
| BS22315 | 75 | 160 | 64 | 144,1 | 91,3 | 8,3 | 4,5 | 351,0 | 437,0 | 0,36 | 1,87 | 2,79 | 1,83 | 6,500 |
| BS22316 | 80 | 170 | 67 | 153,2 | 96,9 | 8,3 | 4,5 | 396,0 | 497,0 | 0,36 | 1,87 | 2,79 | 1,83 | 7,200 |

Maximale Drehzahlen / Maximum Speed

Offene Pendelrollenlager Open Spherical Roller Bearings

| Bezeichnung Code | Maximale Drehzahl Maximum speed | | |
|---------------------|---------------------------------------|----------------------------------|------------------------------|
| | Fett / Grease [min ⁻¹] | Öl / Oil [min ⁻¹] | T250 [min ⁻¹] |
| 22208 | 5 200 | 6 900 | 5 200 |
| 22209 | 4 900 | 6 500 | 4 900 |
| 22210 | 4 500 | 6 000 | 4 500 |
| 22211 | 4 100 | 5 400 | 4 100 |
| 22212 | 3 700 | 4 900 | 3 700 |
| 22213 | 3 400 | 4 600 | 3 400 |
| 22214 | 3 200 | 4 300 | 3 200 |
| 22215 | 3 100 | 4 100 | 3 100 |
| 22216 | 2 900 | 3 800 | 2 900 |
| 22217 | 2 700 | 3 600 | 2 700 |
| 22218 | 2 500 | 3 300 | 2 500 |
| 22219 | 2 400 | 3 200 | 2 400 |
| 22220 | 2 200 | 3 000 | 2 200 |
| 22222 | 2 000 | 2 700 | 2 000 |
| 22308 | 4 000 | 5 300 | 4 000 |
| 22309 | 3 600 | 4 800 | 3 600 |
| 22310 | 3 200 | 4 300 | 3 200 |
| 22311 | 3 000 | 3 900 | 3 000 |
| 22312 | 2 700 | 3 600 | 2 700 |
| 22313 | 2 500 | 3 400 | 2 500 |
| 22314 | 2 400 | 3 100 | 2 400 |
| 22315 | 2 200 | 2 900 | 2 200 |
| 22316 | 1 600 | 2 100 | 1 600 |

Abgedichtete Pendelrollenlager Sealed Spherical Roller Bearings

| Bezeichnung Code | Maximale Drehzahl Maximum speed | |
|---------------------|------------------------------------|------------------------------|
| | Normal [min ⁻¹] | T250 [min ⁻¹] |
| BS22208 | 2 200 | 2 200 |
| BS22209 | 2 000 | 2 000 |
| BS22210 | 1 900 | 1 900 |
| BS22211 | 1 700 | 1 700 |
| BS22212 | 1 600 | 1 600 |
| BS22213 | 1 500 | 1 500 |
| BS22214 | 1 400 | 1 400 |
| BS22215 | 1 300 | 1 300 |
| BS22216 | 1 200 | 1 200 |
| BS22217 | 1 100 | 1 100 |
| BS22218 | 1 000 | 1 000 |
| BS22219 | 950 | 950 |
| BS22220 | 900 | 900 |
| BS22222 | 800 | 800 |
| BS22308 | 1 900 | 1 900 |
| BS22309 | 1 500 | 1 500 |
| BS22310 | 1 400 | 1 400 |
| BS22311 | 1 400 | 1 400 |
| BS22312 | 1 100 | 1 100 |
| BS22313 | 1 000 | 1 000 |
| BS22314 | 900 | 900 |
| BS22315 | 950 | 950 |
| BS22316 | 800 | 800 |